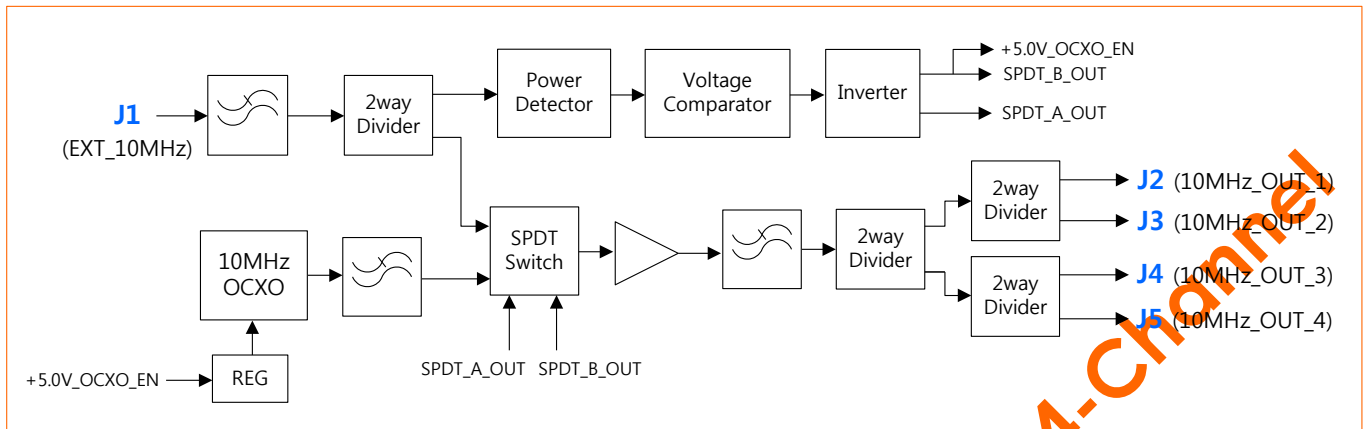
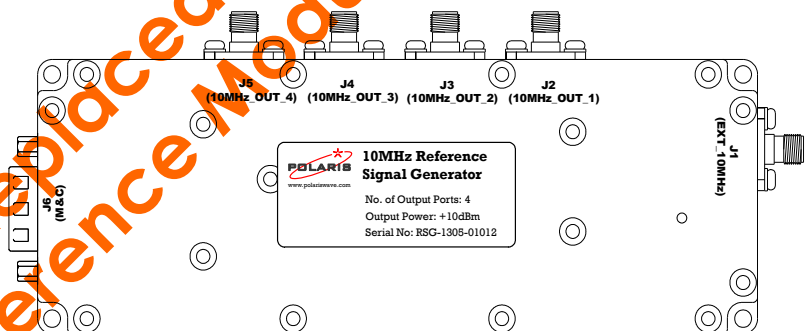


# 10MHz Reference Signal Generator with OCXO



## Features

- ❖ Built-in 10MHz OCXO with ultra-low phase noise
- ❖ Automatic switching when an external 10MHz reference signal is input
- ❖ No. of Output ports
  - 4 ports
- ❖ Output level
  - +10dBm
- ❖ Spurious suppression
  - $\leq -50\text{dBc}$



## Options for general application

- ❖ Frequency Stability:  $\leq \pm 50\text{ppb}$  in  $-10^\circ\text{C}$  to  $60^\circ\text{C}$
- ❖ Phase Noise:  $-152\text{dBc/Hz}$  at 10KHz Offset Frequency
- ❖ Operating Temperature:  $-10^\circ\text{C}$  to  $60^\circ\text{C}$

## Applications

- ❖ Reference Frequency Generation
- ❖ Phase Noise Measurements
- ❖ Frequency Synchronization among Instruments
- ❖ Telecommunications Standards

## Specifications

Parameters		Specifications	Remarks
External reference signal input	Frequency	10MHz	
	Power	0dBm	
Output	Frequency	10MHz	
	power	+10dBm	
	No. of output ports	4	
Frequency stability*		$\leq \pm 10\text{ppb @ } -20^{\circ}\text{C to } 70^{\circ}\text{C}$ $\leq \pm 100\text{ppb/year}$	
Phase noise *		$\leq -155\text{dBc/Hz @ } 100\text{Hz Offset}$ $\leq -162\text{dBc/Hz @ } 1\text{KHz Offset}$ $\leq -169\text{dBc/Hz @ } 10\text{KHz Offset}$ $\leq -169\text{dBc/Hz @ } 100\text{KHz Offset}$	
Reference signal switch		Automatic Switching	
Supply voltage		+6Vdc	
Current consumption		+1.0A max.	Steady State at 25°C
		+1.5A max.	During Warm-up
Connectors	EXT_10MHz	J1	SMA (F), ST, 50Ω
	10MHz_OUT_1	J2	SMA (F), ST, 50Ω
	10MHz_OUT_2	J3	SMA (F), ST, 50Ω
	10MHz_OUT_3	J4	SMA (F), ST, 50Ω
	10MHz_OUT_4	J5	SMA (F), ST, 50Ω
	M&C	J6	D_SUB_9pin (Mail) P1: GND P5, P9: +6Vdc P3, P7: N/C P2: EXT_REF_LED P4: N/C P6: INT_REF_LED P8: N/C
Operating Temperature*		-20°C to 70°C	
Storage Temperature		-40°C to 85°C	
Dimension (mm)		150(L) x 55(W) x 22.3(H)	

\* Options for general application

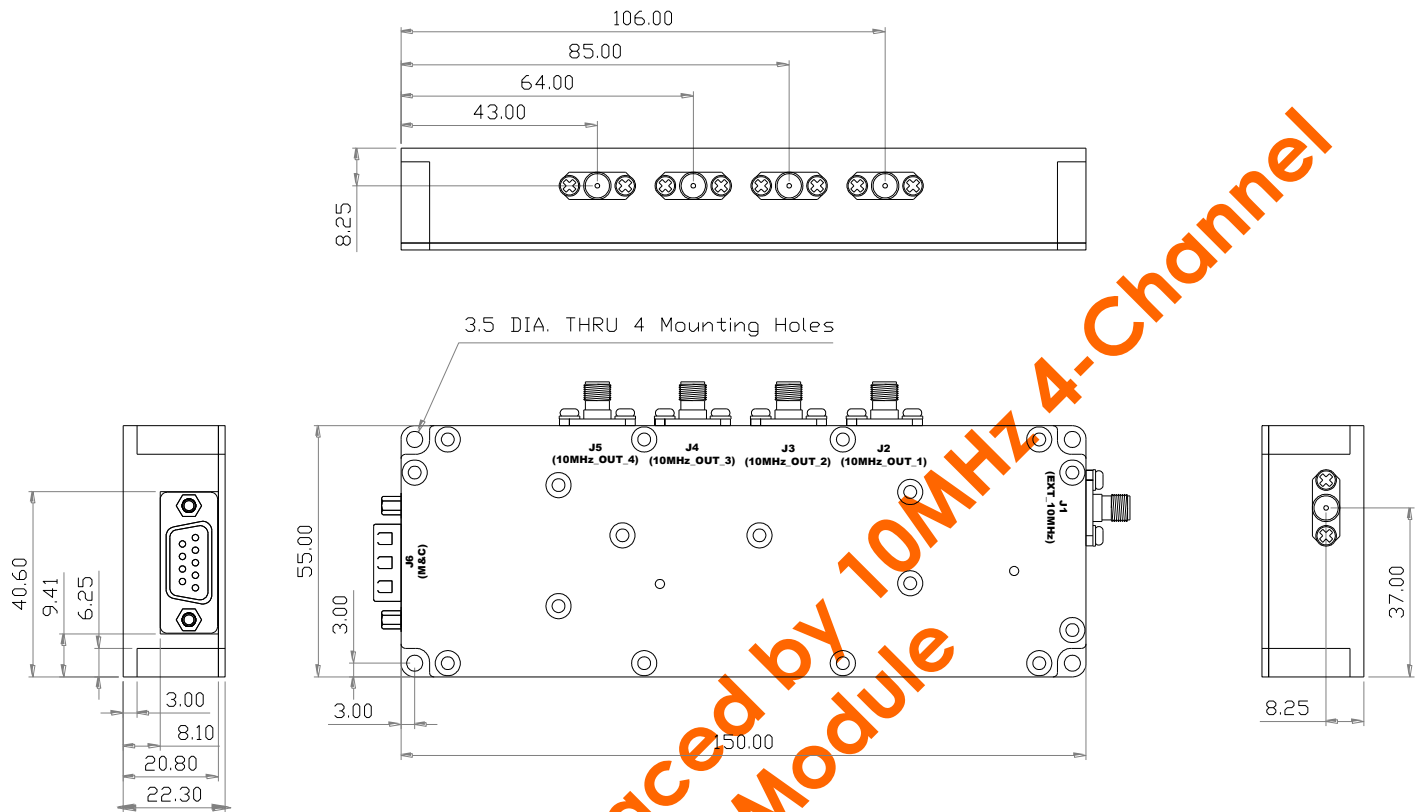
Frequency Stability:  $\leq \pm 50\text{ppb}$  at  $-10^{\circ}\text{C}$  to  $60^{\circ}\text{C}$

Phase Noise:  $\leq -132\text{dBc/Hz @ } 100\text{Hz Offset}$ ,  $\leq -142\text{dBc/Hz @ } 1\text{KHz Offset}$ , and  $\leq -152\text{dBc/Hz @ } 10\text{KHz Offset}$

Operating Temperature:  $-10^{\circ}\text{C}$  to  $60^{\circ}\text{C}$

## Specifications

All dimensions are in millimeters.



- Address: #1115, Anam tower, 311, Teheran-ro, Gangnam-gu, Seoul, Republic of Korea
- Tel: +82-2-2009-2120
- e-mail: [info@polariswave.com](mailto:info@polariswave.com)
- web: [www.polariswave.com](http://www.polariswave.com)