

PLDRO Handling Precautions

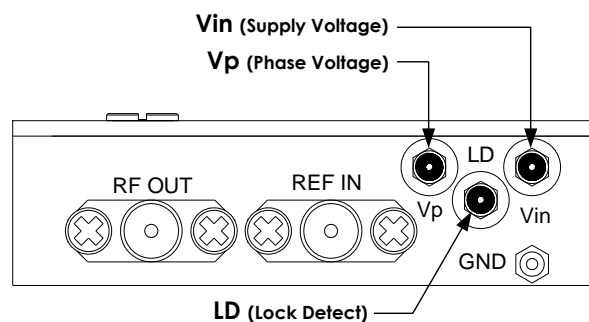
Be sure to read these Precautions before using the product.

(Figures in this manual are for illustrative purposes only and may differ slightly from the actual appearance.)

- When an external reference signal is sourced to this product, the input power should not exceed the rated input range. The product may get damaged.
- Do not adjust the screw of the microwave tuning element without consulting the manufacturer. Phase may be unlocked.
- Connect external cables referring to the connector descriptions in [Figure 2] ~ [Figure 6]. (It is recommended not to use cables thicker than UL1007-24AWG(11/0.16). The connector pin may be broken.)
- Do not apply shock or vibration beyond the specified range.

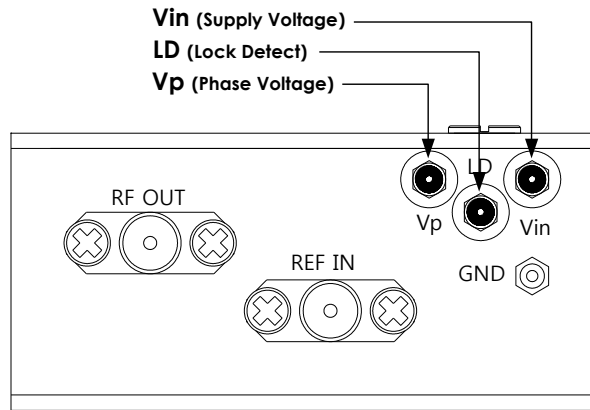


[Figure 1] Screw location of microwave tuning element

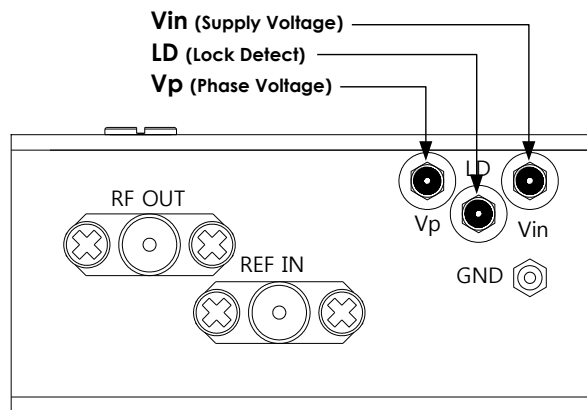


[Figure 2] Single Loop PLDRO using external reference (SB & HS Housing)

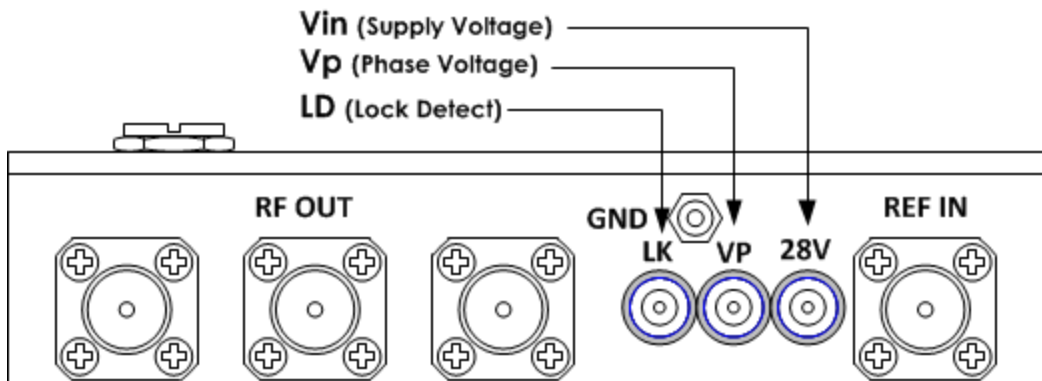
PLDRO Handling Precautions



[Figure 3] Single Loop PLDRO using external reference (DB Housing)

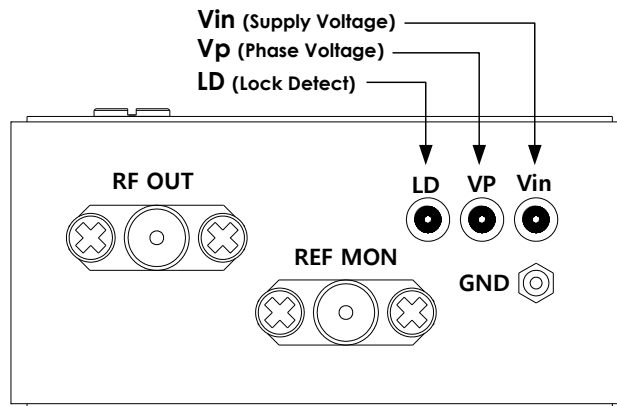


[Figure 4] Dual Loop PLDRO using external reference (DB Housing)



[Figure 5] Triple Ports PLDRO using external reference (Hermetically Sealed SB Housing)

PLDRO Handling Precautions



[Figure 6] Single Loop PLDRO using internal reference (Hermetically Sealed DB Housing)