

Variable Frequency PLDRO



Description



The PLDRO (Phase Locked Dielectric Resonator Oscillator) provides the ultra-low phase noise and an excellent frequency stability when it is phase-locked to a clean and stable crystal reference signal. The PLDRO provides ideal signal for commercial and military systems that require ultra-low phase noise, low spurious, and high frequency stability.

Our PLDRO series are available in four series: Single Loop PLDRO, Dual Loop PLDRO, Variable Frequency PLDRO, and Fractional-N PLDRO.

The variable frequency PLDRO series is an innovative signal generator capable of providing both the ultra low phase noise performance of the PLDRO and the excellent frequency resolution of a direct digital synthesizer. This PLDRO series covers 5 GHz to 29 GHz and output frequency can be varied in steps of 10 KHz or less within a specified bandwidth.

Features

- Available from 5 GHz to 29 GHz
- Frequency changeable in steps of 10 KHz or less within the specified bandwidth
- Ultra Low Phase Noise
- Low Spurious
- Phase-Locked Alarm
- Compact Housing
- Rugged Construction

Options

- 17 dBm (typ.) Output Power
- Extended Operating Temperature: -20 °C to +70 °C
- 100 Hz Frequency Steps
- Field Replaceable SMA-Jack
- Customized Outlines
- Laser Marking

Applications

- Radar Systems
- VSAT/Satellite Communication Systems
- Test Equipment
- Microwave Transmitters & Receivers
- Cable TV Links (CATV)
- LMDS
- Missile Guidance
- Local Area Networks (LAN)

Specifications

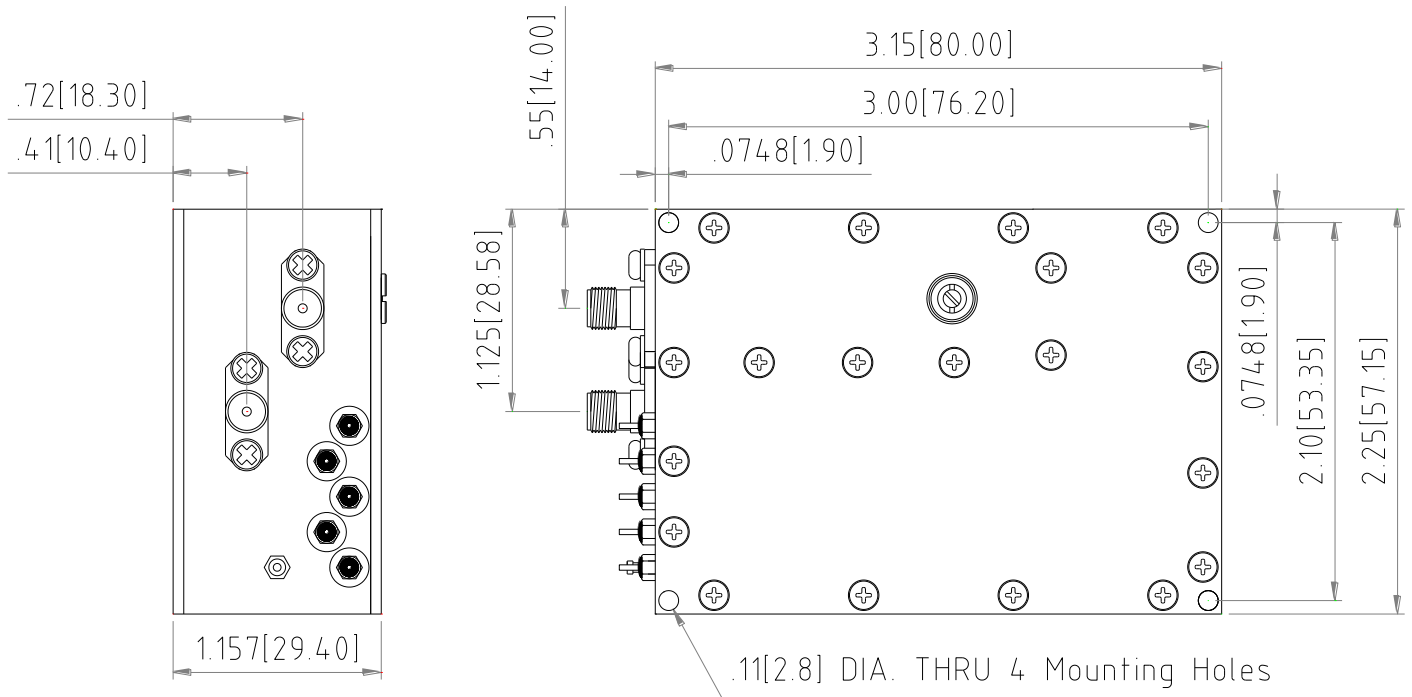
Parameters		Specifications			
Output Frequency	Available Range	5 GHz to 29 GHz			
	Operating Bandwidth	Consult Factory			
	Resolution	1 KHz (min.), 10 KHz (typ.)			
Output Power		13 dBm (typ.)			
Phase Noise (dBc/Hz)	Frequency	6 GHz	10 GHz	13 GHz	27 GHz
	Offset				
	100 Hz	-92	-87	-84	-78
	1 KHz	-112	-108	-105	-99
	10 KHz	-120	-115	-108	-102
	100 KHz	-123	-118	-114	-108
External Reference	Frequency	100 MHz			
	Power	0±2 dBm			
Harmonics		-30 dBc (typ.), -20 dBc (max.)			
Sub-harmonics		-25 dBc (typ.), -15 dBc (max.)			
Frequency Stability		Same as the Reference			
Spurious by External Reference		-80 dBc (typ.), -70 dBc (max.)			
Spurious by Mixer Intermodulation		-70 dBc (typ.), -60 dBc (max.)			
Pulling (3:1 VSWR) (max.)		Will not break lock			
Output Impedance		50 Ω			
Supply Voltage		12±0.5 Vdc			
Current Consumption		Consult Factory			
Connectors	RF Output (RF OUT)	SMA-Jack			
	Reference Input (REF_IN)	SMA-Jack			
	Supply Voltage (Vin)	EMI Feed-thru			
	Phase Voltage (Vp)	EMI Feed-thru			
	Phase Lock-Detect (LD) Note 1	EMI Feed-thru			
	3.3 V UART TX Data (TXD)	EMI Feed-thru			
	3.3 V UART RX Data (RXD)	EMI Feed-thru			
	GND	Turret Thread Mount Terminal			
Housing Size (W x L x H)		2.25"[57.15] x 3.15"[80] x 1.157"[29.4]			
Operating Temperature		0 °C to 60 °C			
Storage Temperature		-20 °C to 70 °C			

Note 1 Phase Lock-Detect (LD)

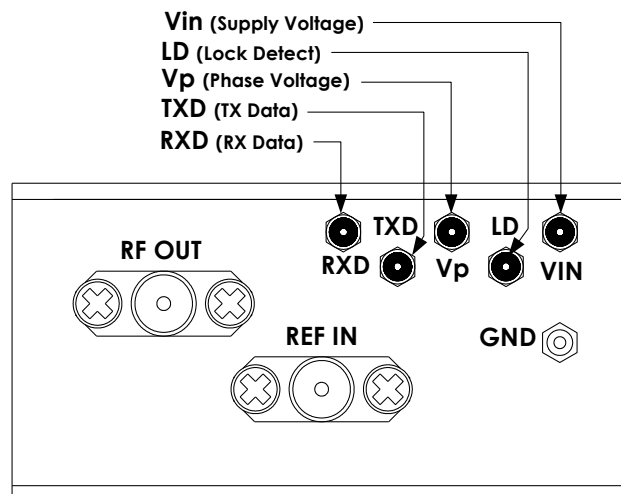
- 3.3 V when phase locked
- 0 V when phase unlocked

Outline Drawing

Dimensions shown in brackets [] are in millimeters.



Extended Dual Bed Housing



Pin Descriptions

Ordering Information

VPLDRO-RE100-**w...w**-**Bxx**-**Ryy**-**Pzz**

- **w**: Center Frequency (MHz)
- **xx**: Bandwidth (MHz)
- **yy**: Resolution (KHz)
- **zz**: Output Power (dBm)

Examples

VPLDRO-RE100-**8337**-**B5**-**R1**-**P13**

- . Product Category: Variable Frequency PLDRO
- . External Reference: 100 MHz
- . Center Frequency: 8337 MHz
- . Bandwidth: 5 MHz
- . Resolution: 1 KHz
- . Output Power: 13 dBm

VPLDRO-RE100-**27213**-**B10**-**R10**-**P13**

- . Product Category: Variable Frequency PLDRO
- . External Reference: 100 MHz
- . Center Frequency: 27213 MHz
- . Bandwidth: 10 MHz
- . Resolution: 10 KHz
- . Output Power: 13 dBm

- Address: #1913, Anam tower, 311 Teheran-ro, Gangnam-gu, Seoul, Republic of Korea
- Tel: +82-2-2009-2120
- e-mail: info@polariswave.com
- web: www.polariswave.com