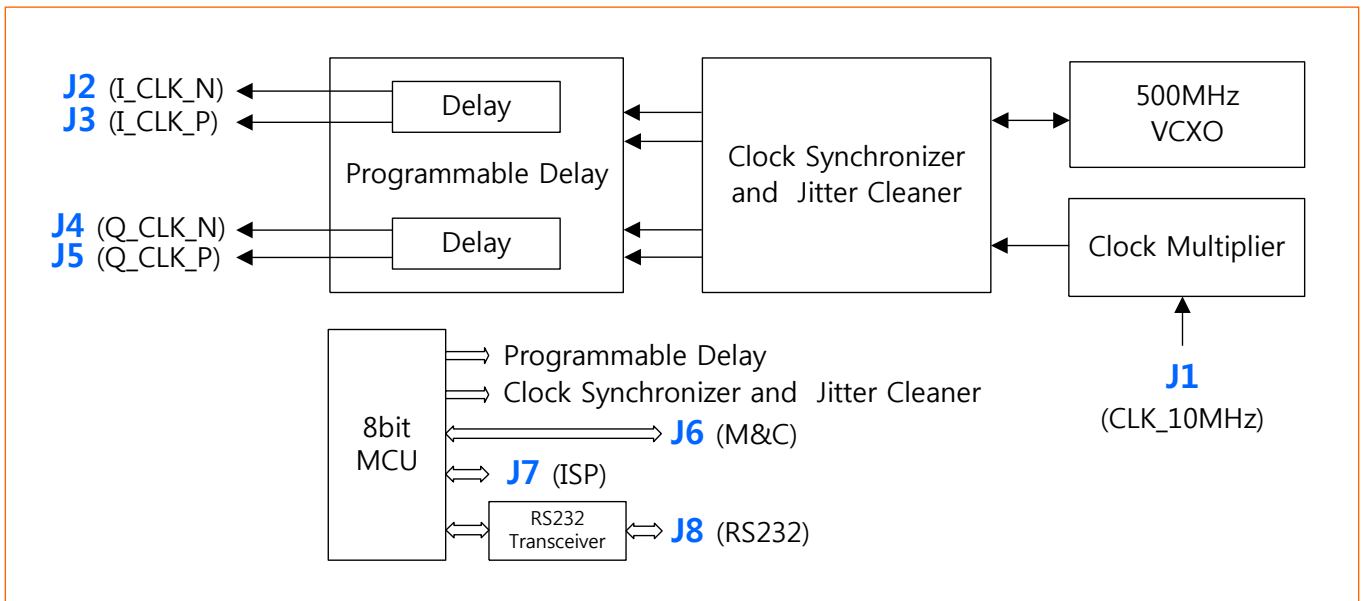
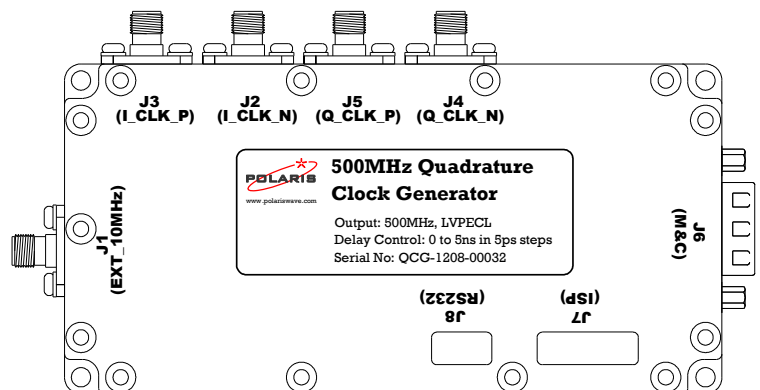


# 500MHz Quadrature Clock Generator



## Features

- ❖ User-controllable phase delay
- ❖ High performance LVPECL and LVCMOS PLL clock synthesizer
- ❖ Built-in 8bit MCU for chips control and external master MCU interface
- ❖ Phase delay control with simple ASCII characters via RS232 interface
- ❖ Output frequency
  - 500MHz
- ❖ Output level
  - LVPECL (I/Q differential signal)
- ❖ Delay control range
  - 0 to 5ns
- ❖ Delay control resolution
  - 5ps



## Applications

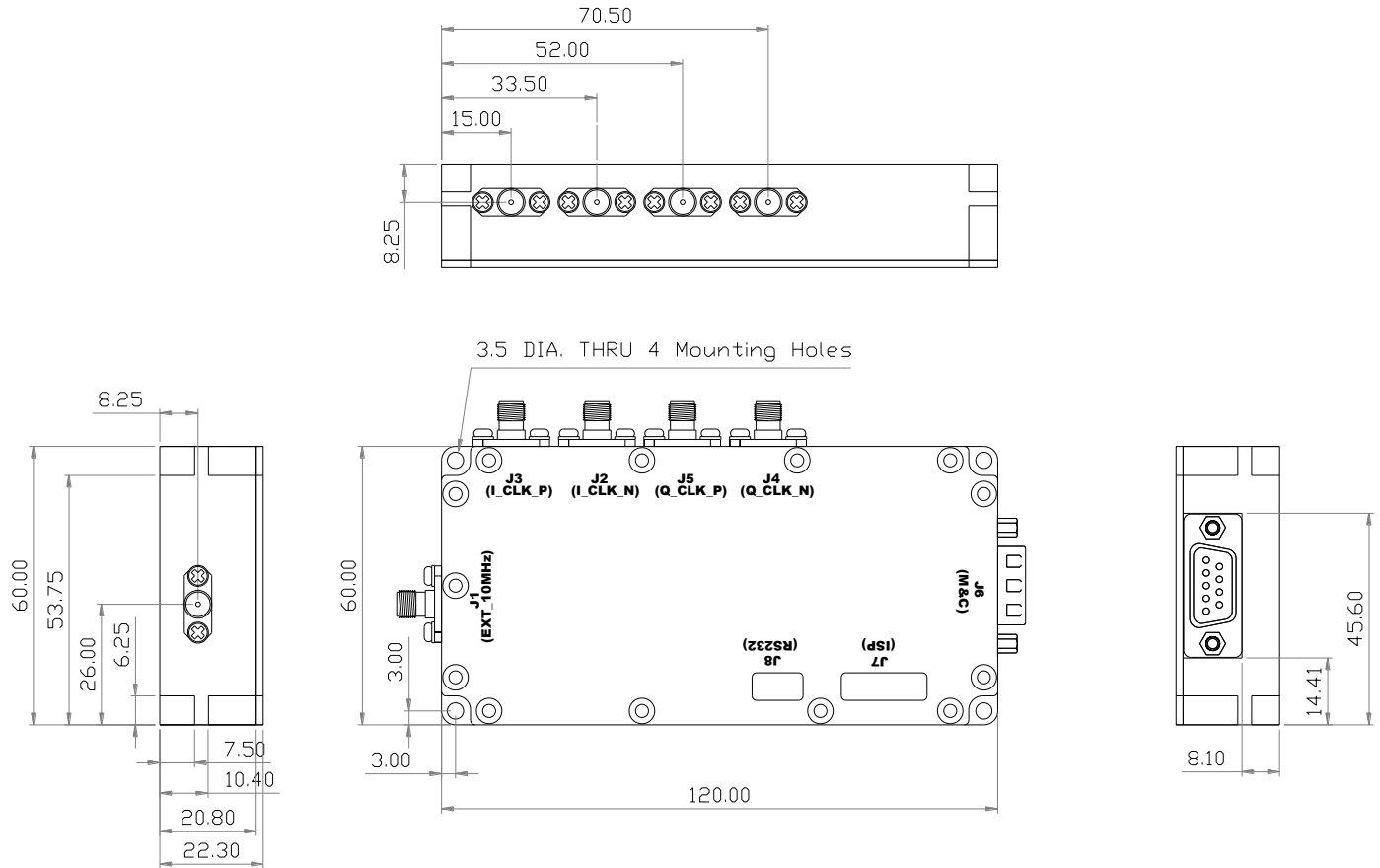
- ❖ Programmable clock generator
- ❖ Phase compensator
- ❖ Quadrature LVPECL clock generator

## Specifications

Parameters		Specifications		Remarks	
External reference signal input	Frequency	10MHz			
	Power	+3dBm			
Output	Frequency	500MHz			
	Level	LVPECL		I/Q differential signal	
Delay control	Range	0 to 5ns			
	Resolution	5ps			
Supply voltage		+6Vdc			
Current consumption		+0.5A max.			
Connectors	CLK_10MHz	J1	SMA (F), ST, 50Ω		Input, External 10MHz reference signal
	I_CLK_N	J2	SMA (F), ST, 50Ω		Output, I-CH clock, Negative
	I_CLK_P	J3	SMA (F), ST, 50Ω		Output, I-CH clock, Positive
	Q_CLK_N	J4	SMA (F), ST, 50Ω		Output, Q-CH clock, Negative
	Q_CLK_P	J5	SMA (F), ST, 50Ω		Output, Q-CH clock, Positive
	M&C	J6	D_SUB_9pin (Mail) P1: GND                      P2: MCU_SDO P3: MCU_EN                P4: N/C P5: +6Vdc                  P6: MCU_SDIO P7: MCU_CLK              P8: N/C P9: +6Vdc		External master MCU interface and Power supply
	ISP	J7	Molex_2.54mm_6pin (Header)		Program Download
	RS232	J8	Molex_Header_2.54mm_3pin P1: MCU_TX                P2: MCU_RX P3: GND		Remote Control
Dimension (mm)		120(L) x 60(W) x 22.3(H)			

## Outline Drawing

All dimensions are in millimeters.



- Address: #1115, Anam tower, 311, Teheran-ro, Gangnam-gu, Seoul, Republic of Korea
- Tel: +82-2-2009-2120
- e-mail: info@polariswave.com
- web: www.polariswave.com